

MODEL 40-84

SPECIFICATIONS

Model 40-84 is a portable five (5) tube A.C.-D.C. power line or battery operated superheterodyne radio. This model covers a tuning frequency range of 540 K. C. to 1550 K. C.

An especially designed loop antenna is built into the cabinet for portable use. Aerial and ground connections are also provided for remote locations, where signal strength is weak or for use in permanent or semi-permanent installation.

POWER SUPPLY: For battery operation, a Philco combination "A" and "B" battery pack type P60A-110 is required. This battery is mounted in the rear of the cabinet. To operate the radio on 115 volt A.C. or D.C. power supply,

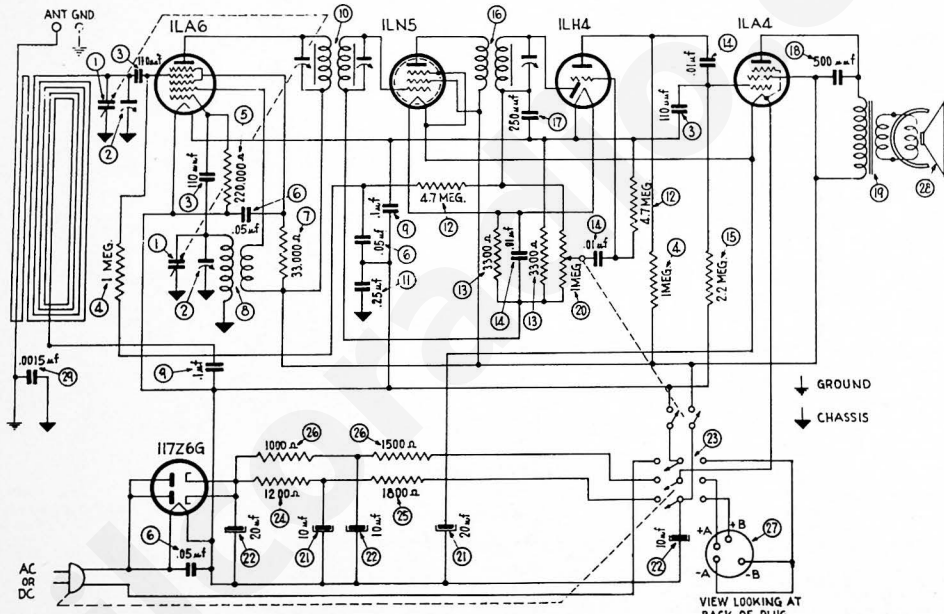
insert the power line cord plug into the socket on the back of the chassis. This plug-in arrangement automatically disconnects the A.-B. battery from the circuits of the set.

BATTERY CURRENT: "A" "B"

PHILCO TUBES USED: One 1LA6, converter; one 1LN5, I. F. amplifier; one 1LH4, 2nd detector, A. F. amplifier and A. V. C.; one 1LA4, power output and one 117Z6G rectifier.

INTERMEDIATE FREQUENCY: 455 K. C.

The R. F. and I. F. aligning procedure for this model will be found on page 40.



REPLACEMENT PARTS

SCHE. No.	DESCRIPTION	PART No.	SCHE. No.	DESCRIPTION	PART No.	SCHE. No.	DESCRIPTION	PART No.
1	Tuning Condenser	31-2438	17	Mica Condenser (250 mmf.)	61-0033	29	Tubular Condenser (.0015 mfd., 200 V.)	30-4555
2	Trimmer Condenser	31-6211	18	Mica Condenser (500 mmf.)	30-1114	MISCELLANEOUS PARTS		
3	Mica Condenser	30-1130	19	Output Transformer	32-8100		Cable (Power)	L-3199
4	Resistor (¼ watt, 1 meg.)	33-510154	20	Volume Control	33-5375		Cabinet	10458A
5	Resistor (¼ watt, 220,000 ohms)	33-422154	21	Electrolytic Condenser (20-10 mfd., 150 V.)	30-2453		Dial	27-5568
6	Tubular Condenser (.05 mfd., 400 V.)	30-4518	22	Electrolytic Condenser (10-10 mfd., 150 V.; 20 mfd., 25 V.)	30-2452		Dial Drive Cord Assembly	31-2381
7	Resistor (¼ watt, 33,000 ohms)	33-333154	23	Automatic T. P. D. T. Switch	42-1653		Dial Tuning Shaft	56-6070
8	Oscillator Coil	32-3385	24	Resistor (¼ watt, 1200 ohms)	33-212334		Grille Screen (Speaker)	56-1255
9	Tubular Condenser (.1 mfd., 400 V.)	30-4455	25	Resistor (¼ watt, 1800 ohms)	33-218334		Knob (Tuning, Volume)	27-4876
10	1st I. F. Transformer	32-3384	26	Filament Resistor	33-3387		Pointer (Dial)	27-4868
11	Tubular Condenser (.25 mfd., 400 V.)	32-4448	27	Battery Cable	41-3526		Screw (Chassis Mounting)	W-2067
12	Resistor (¼ watt, 4.7 meg.)	33-547154	28	Speaker	36-1476		Socket (Tube Rectifier)	27-6137
13	Resistor (¼ watt, 10,000 ohms)	33-310154		Cone Assembly (for Speaker 36-1476-3)	36-4121		Socket (Tubes)	55-0575
14	Tubular Condenser (.01 mfd., 400 V.)	30-4572					Spring (Tuning Cond. Drive)	28-8882
15	Resistor (¼ watt, 2.2 meg.)	33-522154					Washer "C" Tuning Shaft	57-0127
16	2nd I. F. Transformer	32-3266						